

## SEFAR MEDIFAB® Fabric Selection

This selection of SEFAR MEDIFAB® monofilament fabrics are most commonly used for Medical Applications. Additional fabrics with different mesh openings and characteristics are available upon request.

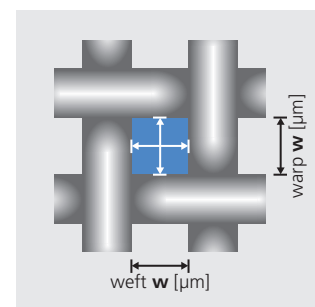
### SEFAR MEDIFAB® PA 6.6 [Polyamide]

Article	Mesh opening [μm]	Open area [%]	Thickness [μm] (reference value)
03-5/1	5	1	100
03-15/10	15	10	60
03-20/14	20	14	55
03-30/18	30	18	60
03-41/31	41	31	50
03-50/31	50	31	60
03-64/45	64	45	50
03-100/44	100	44	80
03-170/54	170	54	100
03-180/47	180	47	135
03-200/47	200	47	150
03-300/51	300	51	200

### SEFAR MEDIFAB® PET [Polyester]

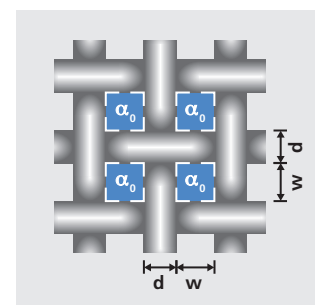
Article	Mesh opening [μm]	Open area [%]	Thickness [μm] (reference value)
07-5/1	5	1	80
07-11/5	11	5	60
07-15/9	15	9	55
07-20/13	20	13	60
07-20/23	20	23	42
07-40/25	40	25	60
07-40/40	40	40	38
07-64/45	64	45	45
07-100/32	100	32	125
07-105/52	105	52	63
07-120/50	120	50	80
07-150/41	150	41	135
07-175/46	175	46	130
07-190/70	190	70	65
07-200/39	200	39	215
07-224/42	224	42	210
07-300/36	300	36	405
07-800/55	800	55	545

### Definitions



#### Mesh opening $w$ [μm]

The mesh opening  $w$  is the distance between two adjacent warp or weft threads.



#### Open area $\alpha_0$ [%]

The percentage of the open area  $\alpha_0$  is the sum of all mesh openings as percentage of the total fabric area.

### Certifications and standards

- Biocompatibility in compliance with USP Class VI and ISO 10993
- Non-pyrogenic, non-hemolytic and non-cytotoxic
- ISO 13485, ISO 9001 and ISO 14001



Fitness of use: All technical information given here are based on Sefar's previous experiences and/or test results. Sefar gives this information to the best of its knowledge, but assumes no legal responsibility. Many factors beyond Sefar's control can affect the performance of a Sefar product. It is the sole responsibility of the user to determine the fitness of use for their application, and in doing so ensure that all applicable laws and regulations are observed. The designated trademarks are registered by Sefar AG. We expressly point out that the SEFAR MEDIFAB® and SEFAR MEDITEX® products offered are not explicitly developed for medical implants and/or implants components. In the event of your company and/or any of your end customers using our products for such applications or supplying them to third parties please contact us immediately. For further information or technical advice please contact your local Sefar representative.

